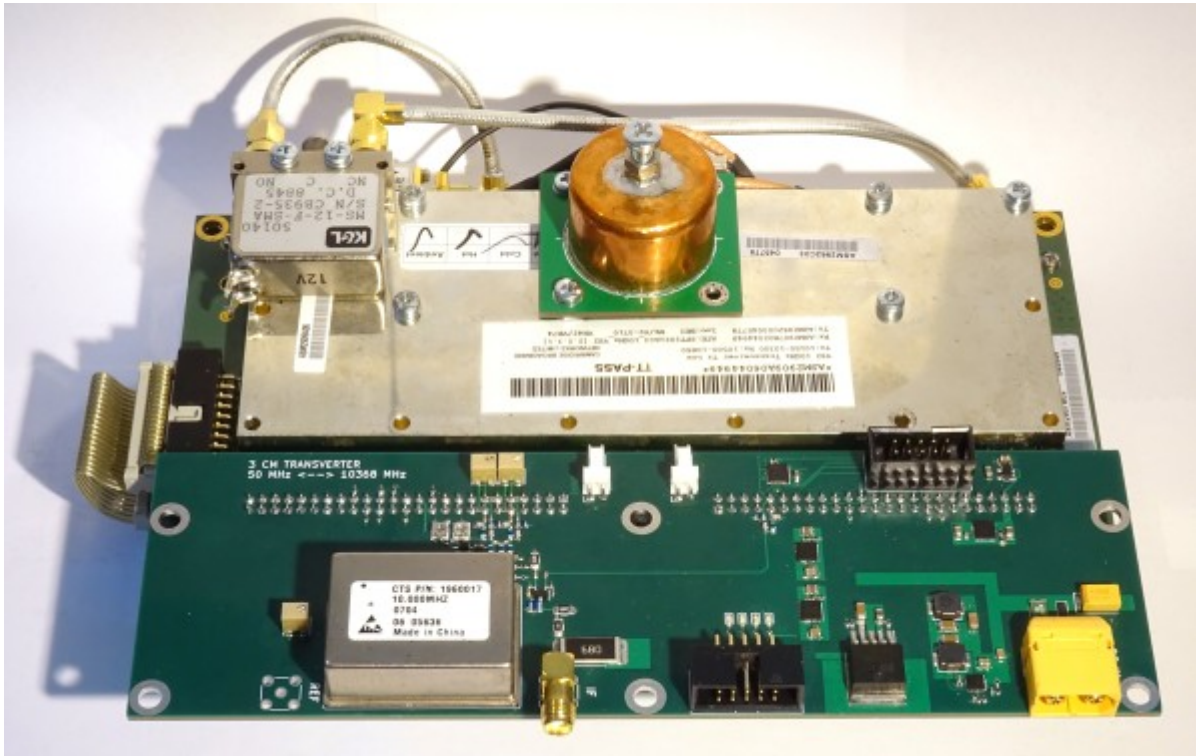


Compact 10 GHz transverter

There are 10 GHz transceiver modules from Cambridge Broadband Networks available at eBay. Based on these modules a compact transverter (in contrast to former [modular approaches](#)) for the 3 cm amateur radio band was built.



[schematics:](#)

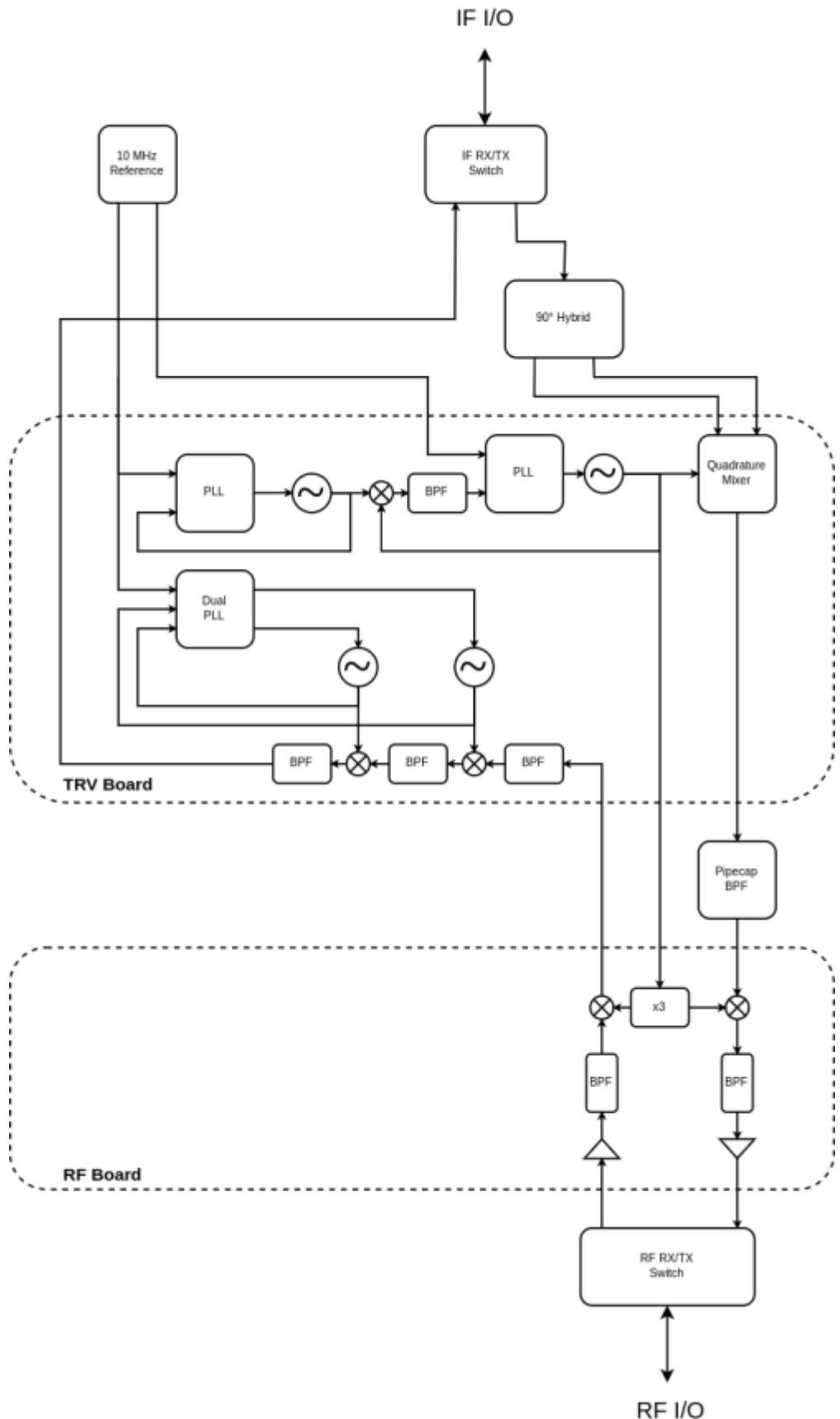
[10g_cambridge.pdf](#)

project files: [10g_cambridge](#)

First all the details of the modules were reverse engineered (documented [here](#) in german) and a concept for the usage as a 3cm transverter was worked out.

Concept

The idea is to use as much as possible parts from the original design and adapt them to a simplex transverter with the same IF for receiving and transmitting.



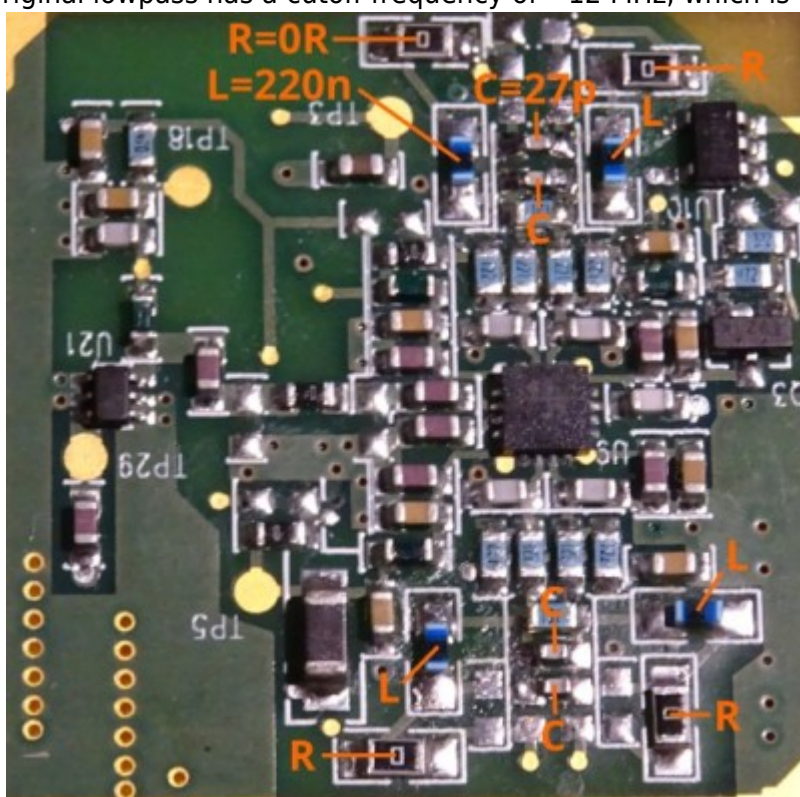
As transceiver IF 50 MHz is used. The transmit path is designed for <1W input power. With a 90° hybrid coupler the quadrature mixer in the transmit section of the transceiver module is used as a image reject mixer to 2.63 GHz. This IF gets filtered externally with a 28mm pipe cap filter to further attenuate the LO and side-band signal (+harmonics). In the first built 0.5 W output power could be

reached without additional tuning of the power amplifier. The receiving chain consists of 3 translations from 10 GHz to 2886 MHz to 320 MHz to 50 MHz. There is very much gain involved and can be adjusted by several step attenuators. On the first built the noise was adjusted to be 10 dB higher than the noise of the transceiver to maintain a good noise figure. Switching between receiving and transmitting needs reprogramming of the synthesizers and switching of RF and IF, which is handled by the MCU. An integrated 10 MHz OCXO delivers reference signals for all the PLL synthesizers.

Modifications

TX Baseband Filters

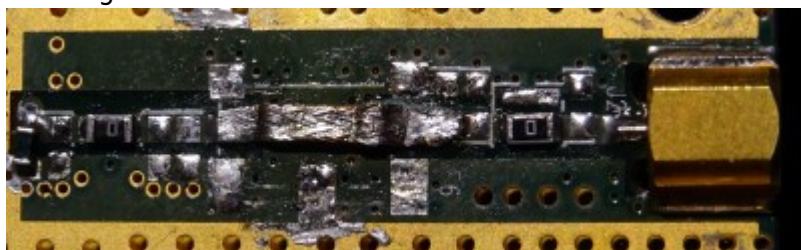
The original lowpass has a cutoff frequency of ~12 MHz, which is replaced by a 3rd order 60 MHz



filter.

TX IF Filter

The original ceramic filter is removed and the attenuators are replaced by 0R resistors.



In theory image rejection by the quadrature mixer can be tuned to -60 dBc or better but thermal drift limits the image rejection to about -50 dBc. A pipecap filter with a 28 mm pipecap is added between

the transverter board and the rf board.

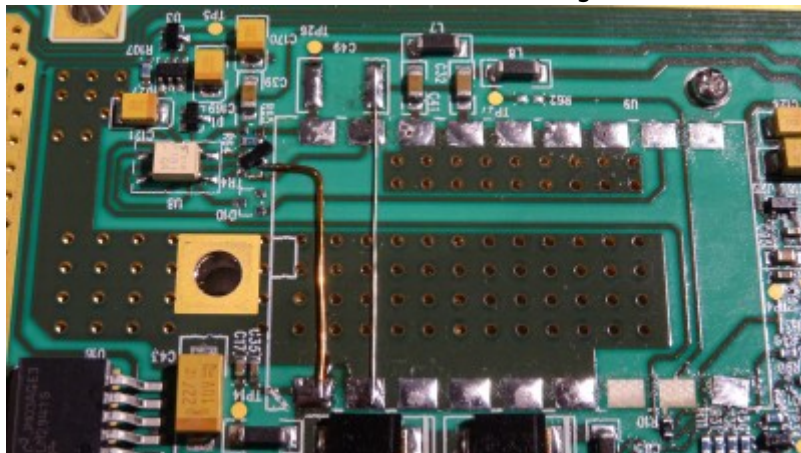


project files: [if2_cambridge](#)
errata:

- MMCX instead of MCX used, fix in next revision

PA Power Supply

The 48V DC/DC module and TR4 are removed. A IRLML6402 is placed upside down on the TR4 footprint as shown in the picture. With two additional wires the drain voltage is switched on when the



negative gate voltage is there.

RX IF Filter

The original 70 MHz IF filter is not used and the signal path is switched to the second not populated filter footprint. A pcb with a 3rd order 50 MHz bandpass filter was made and fits on this footprint.



schematics:

RX IF filter

project files: [if_cambridge](#)

From: <http://www.loetlabor-jena.de/> - **Lötlabor Jena**

Permanent link: <http://www.loetlabor-jena.de/doku.php?id=projekte:3cmcompacttrv:start&rev=1647795769>

Last update: **2022/03/20 17:02**

