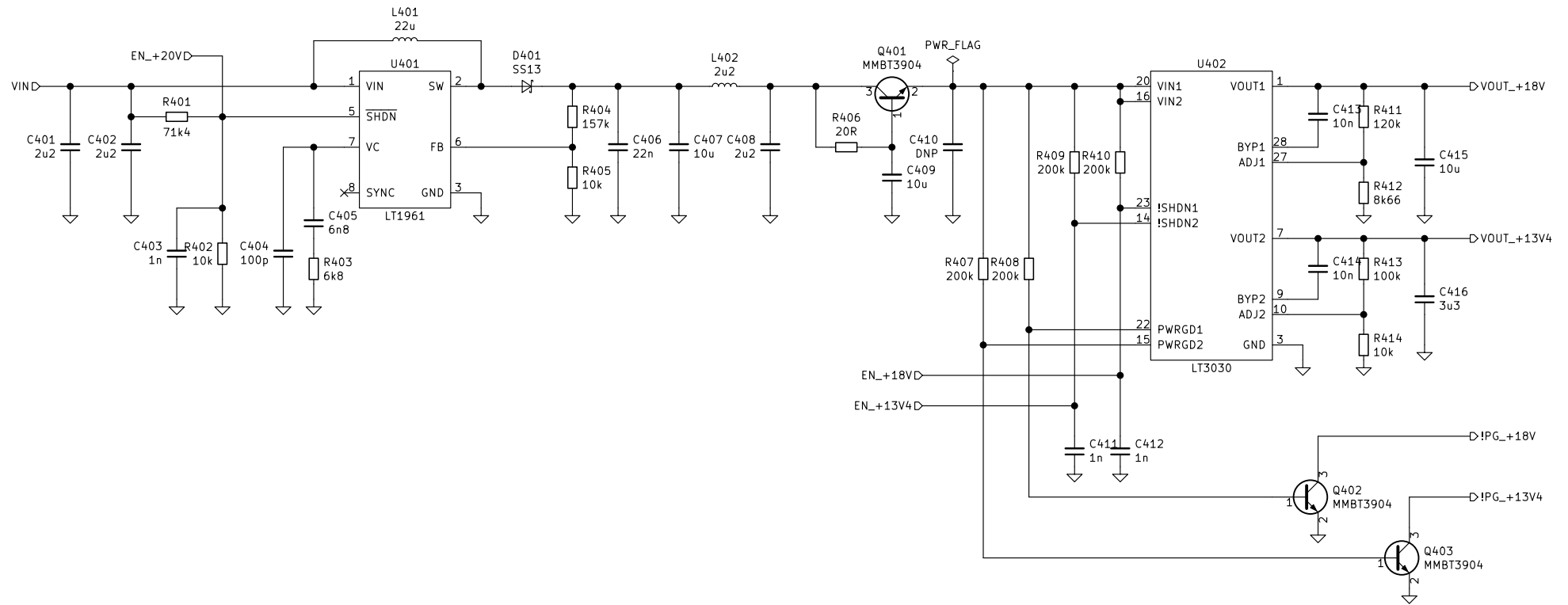


10 GHz SmallStation Power Supply

loetlabor-jena.de
 Sheet: /
 File: PCU.kicad_sch

Title: Power Supply

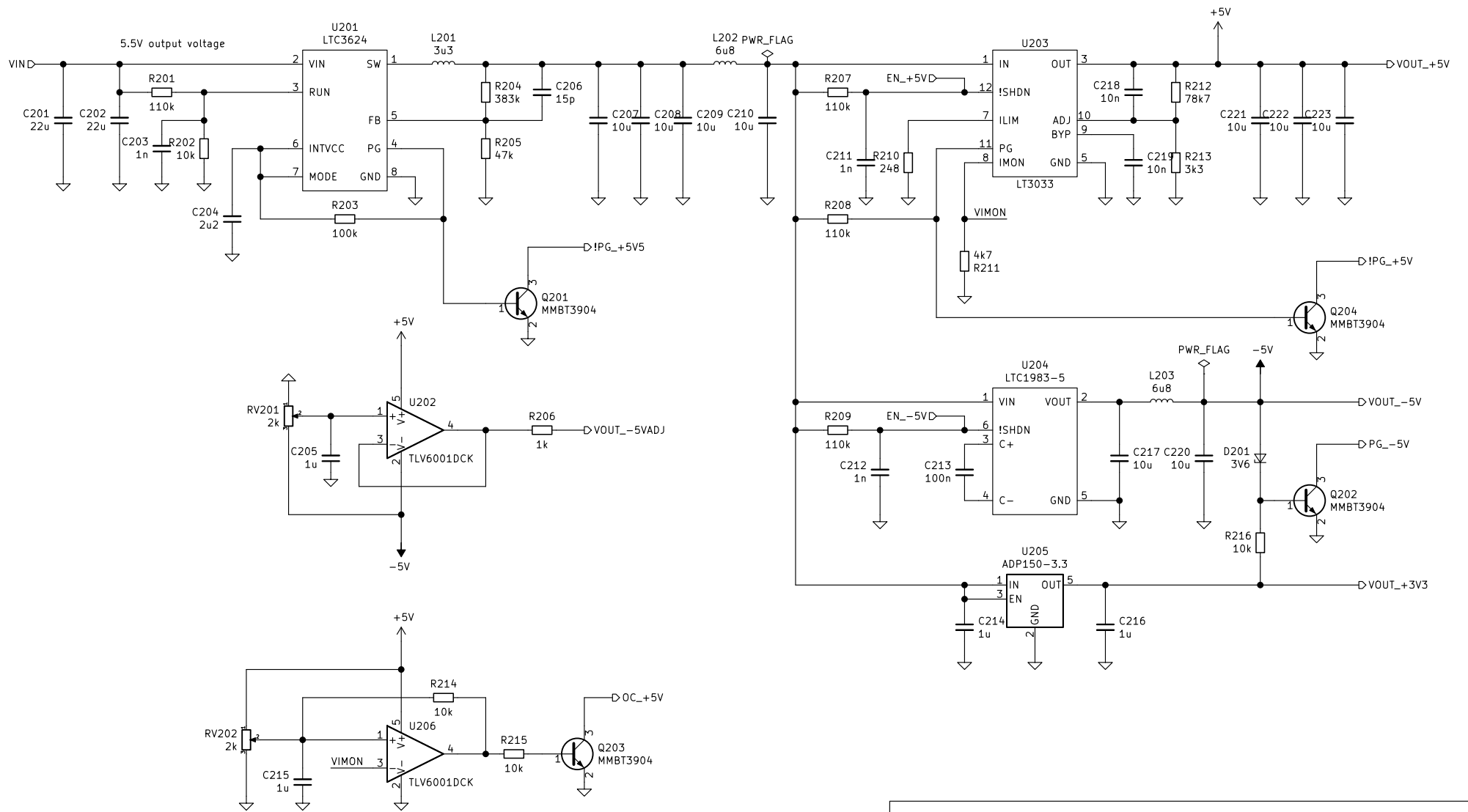
Size: A4	Date: 2020-05-23	Rev: 0
KiCad E.D.A. kicad (5.99.0-1667-g3b8465359)		Id: 1/4



10 GHz SmallStation Power Supply

Sheet: /Boostconverter/
File: Boost.kicad_sch

Title:		Rev:	
Size: A4	Date:		
KiCad E.D.A. kicad (5.99.0-1667-g3b8465359)		Id: 2/4	



10 GHz SmallStation Power Supply

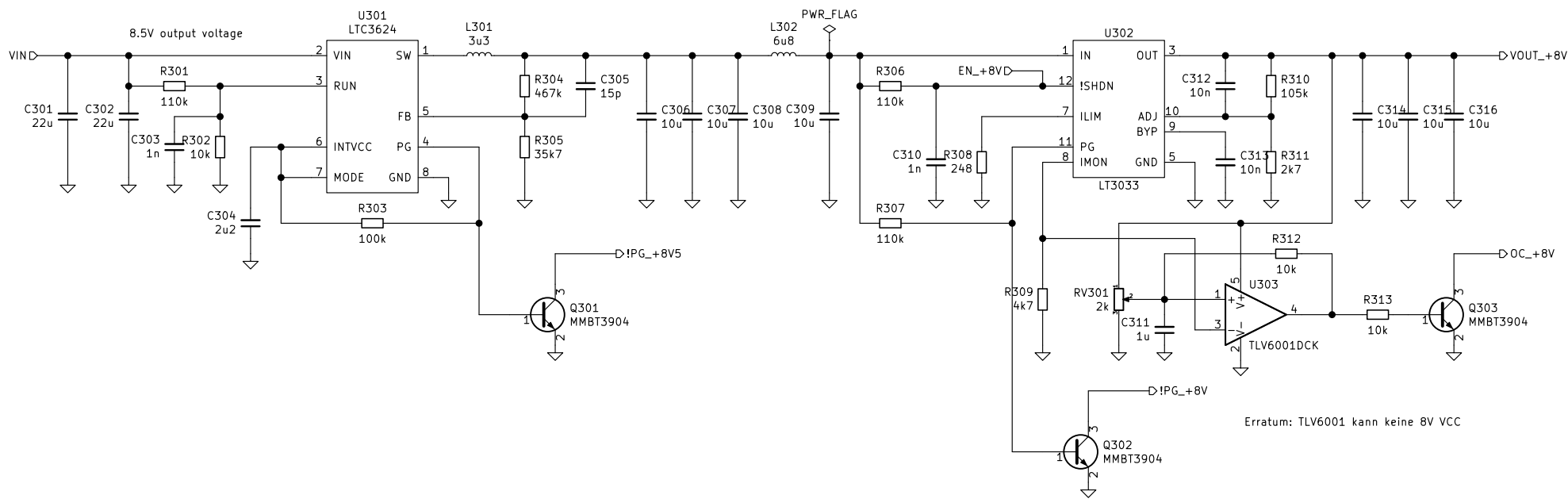
Sheet: /Buckconverter & Inverter/
File: Buck_Inv.kicad_sch

Title:

Size: A4
KiCad E.D.A. kicad (5.99.0-1667-g3b8465359)

Date:

Rev:
Id: 3/4



Erratum: TLV6001 kann keine 8V VCC

<h2>10 GHz SmallStation Power Supply</h2>		
Sheet: /Buckconverter/ File: Buck.kicad_sch		
Title:		
Size: A4	Date:	Rev:
KiCad E.D.A. kicad (5.99.0-1667-g3b8465359)		Id: 4/4